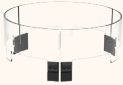

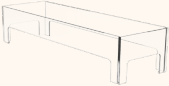


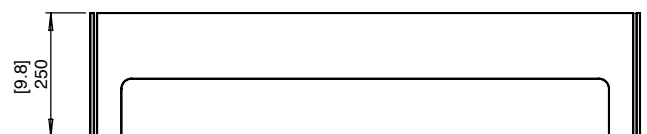
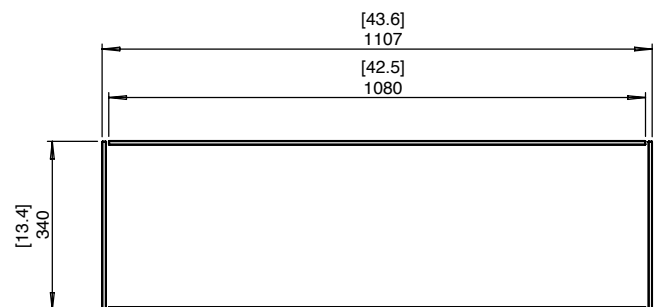
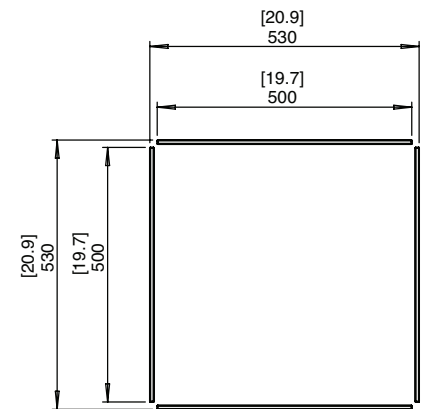
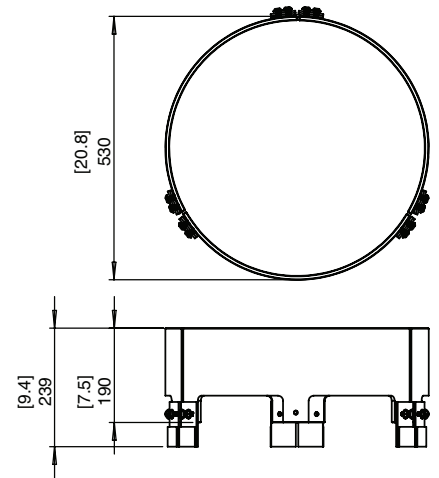
Fire Screens Specifications

EcoSmart's specially designed glass fire screens stabilise the flame in windy conditions and provide an added layer of safety, peace of mind and comfort.



Collection	Dimensions L x W x H mm/in	Compatible Models
R530 	530 x 530 x 190 20.8 x 20.8 x 7.5	Ark 40, Martini 50, Pod Series
S500 	500 x 500 x 250 19.7 x 19.7 x 9.8	Base Series, Manhattan 50, Mojito 40, Vertigo 50
L1080 	1080 x 340 x 250 42.5 x 13.4 x 9.8	Cosmo 50, Wharf 65

Application	Indoor & Outdoor	
SKU	R530	BLD.A.G.R530
	S500	BLD.A.G.S500
	L1080	BLD.A.G.L1080
Materials	Toughened Glass, Black Powder-coated Mild Steel (R530)	
Approx. Weight	R530	4.8kg [10.5lbs]
	S500	6.2kg [13.6lbs]
	L1080	8.3kg [18.2lbs]

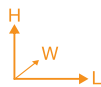




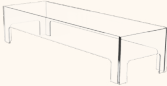
FOR MORE INFORMATION PLEASE REFERENCE THE CLEARANCE & INSTALLATION MANUAL

Disclaimer: All product specifications and data are subject to change without notice and believed to be correct at the time of publication. MAD Design Group (MDG), its affiliates, agents, and employees, and all persons acting on its or their behalf (collectively, "MAD Design Group"), disclaim any and all liability for any errors, inaccuracies or incompleteness contained herein or in any other disclosure relating to any product. MDG disclaims any and all liability arising out of the use or application of any product described herein or of any information provided herein to the maximum extent permitted by law. The product specifications do not expand or otherwise modify MDG's terms and conditions of purchase, including but not limited to the warranty expressed therein, which apply to these products. No license, express or implied, by estoppel or otherwise, to any intellectual property rights is granted by this document or by any conduct of MDG. Customers using or selling MDG products not expressly indicated for use in such applications do so entirely at their own risk and agree to fully indemnify MDG for any damages arising or resulting from such use or sale. Please contact authorised personnel from MDG to obtain written terms and conditions regarding products designed for such applications. Images are indicative only.

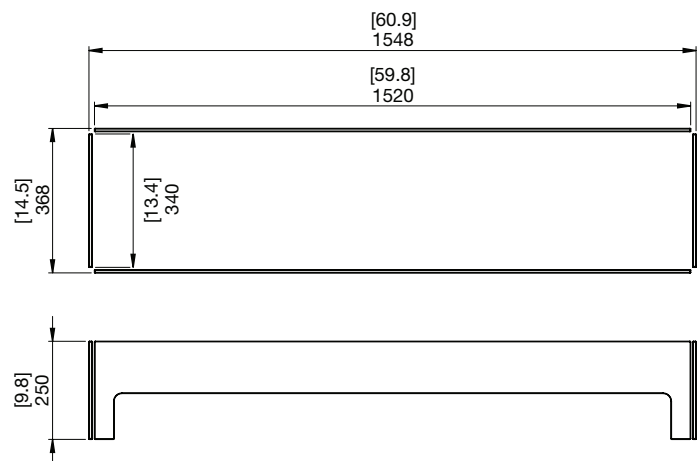
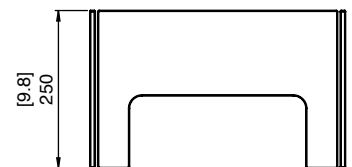
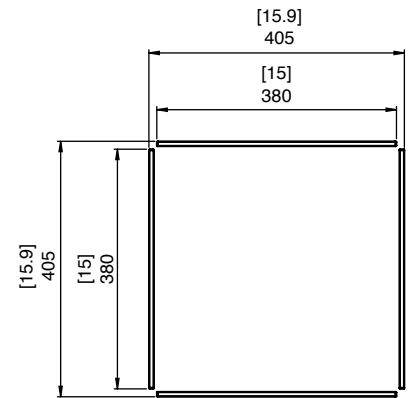
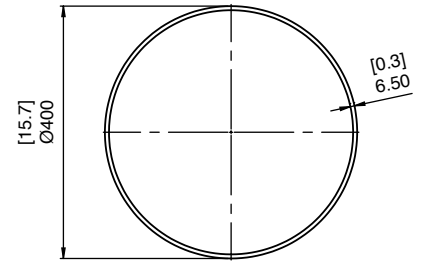
Fire Screens Specifications

EcoSmart's specially designed glass fire screens stabilise the flame in windy conditions and provide an added layer of safety, peace of mind and comfort.



Collection	Dimensions L x W x H mm/in	Compatible Models
R400 	400 x 400 x 300 15.7 x 15.7 x 11.8	Chaser 38, Sidecar 24, Mojito 40, Vertigo Series
S380 	405 x 405 x 250 15.9 x 15.9 x 9.8	Chaser 38, Sidecar 24, Vertigo 40
L1520 	1520 x 340 x 250 59.8 x 13.4 x 9.8	Gin 90 Tables

Application	Indoor & Outdoor	
SKU	R400	BLD.A.G.R400
	S380	BLD.A.G.S380
	L1520	BLD.A.G.L1520
Materials	Toughened Glass Borosilicate Glass Screen (R400)	
Approx. Weight	R400	4.7kg [10.3lbs]
	S380	5.4kg [11.9lbs]
	L1520	10.5kg [23.1lbs]



FOR MORE INFORMATION PLEASE REFERENCE THE CLEARANCE & INSTALLATION MANUAL

Disclaimer: All product specifications and data are subject to change without notice and believed to be correct at the time of publication. MAD Design Group (MDG), its affiliates, agents, and employees, and all persons acting on its or their behalf (collectively, "MAD Design Group"), disclaim any and all liability for any errors, inaccuracies or incompleteness contained herein or in any other disclosure relating to any product. MDG disclaims any and all liability arising out of the use or application of any product described herein to the maximum extent permitted by law. The product specifications do not expand or otherwise modify MDG's terms and conditions of purchase, including but not limited to the warranty expressed therein, which apply to these products. No license, express or implied, by estoppel or otherwise, to any intellectual property rights is granted by this document or by any conduct of MDG. Customers using or selling MDG products not expressly indicated for use in such applications do so entirely at their own risk and agree to fully indemnify MDG for any damages arising or resulting from such use or sale. Please contact authorised personnel from MDG to obtain written terms and conditions regarding products designed for such applications. Images are indicative only.